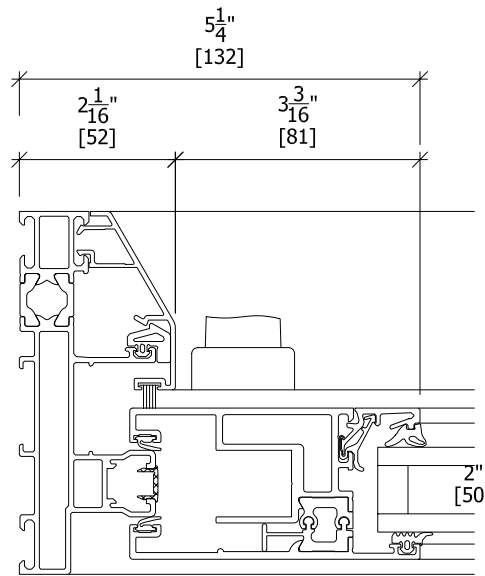
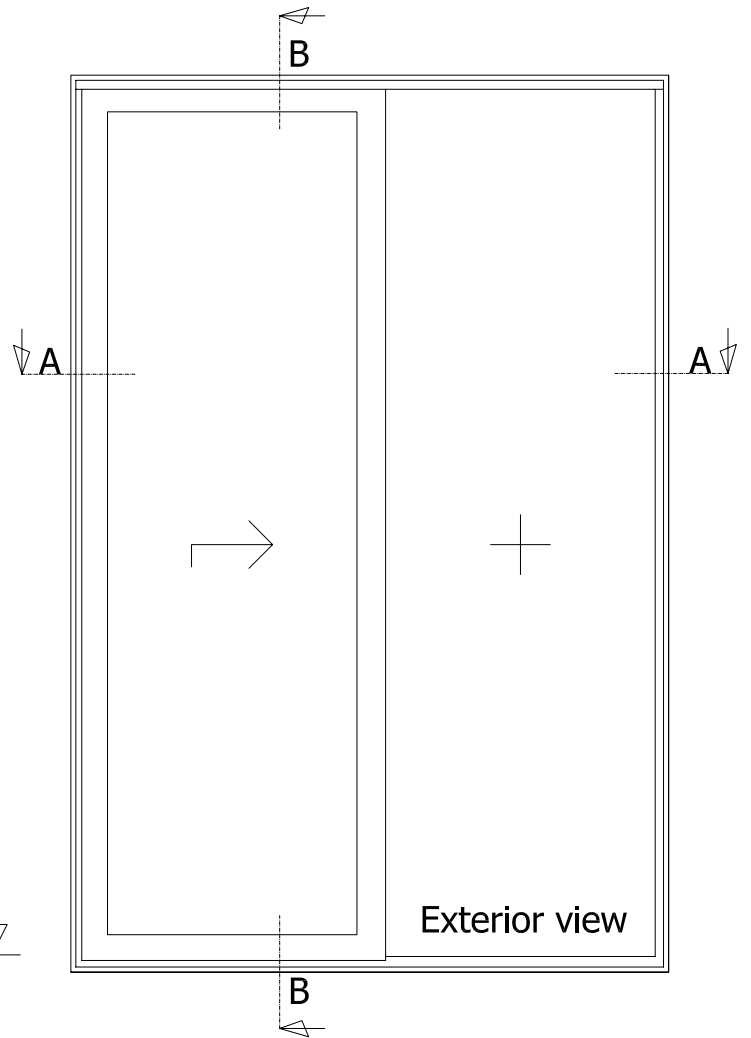
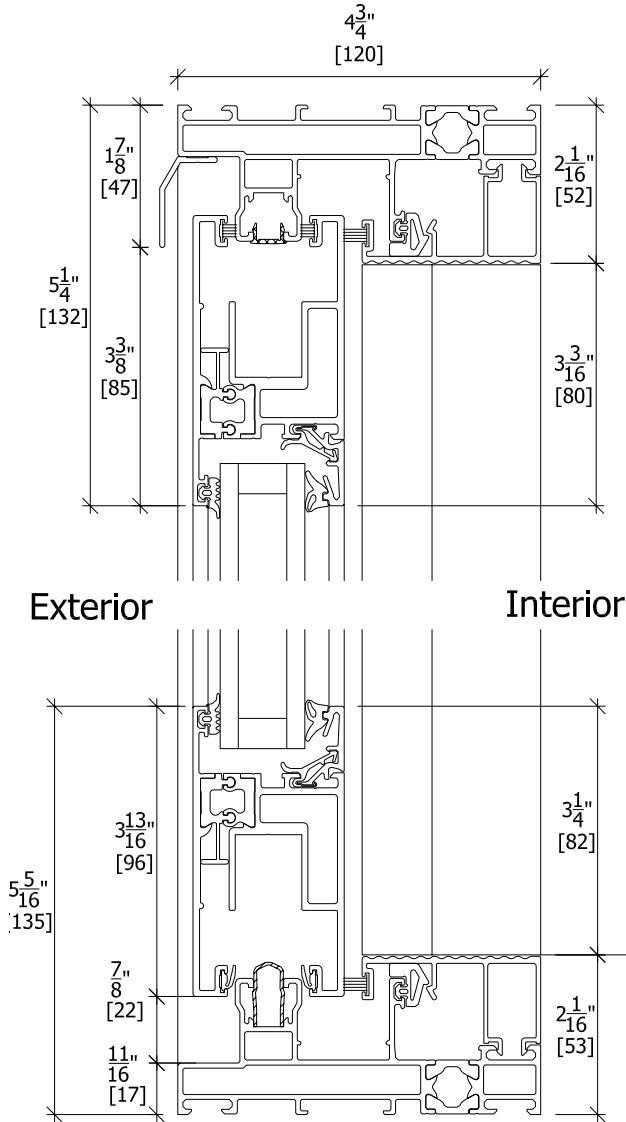
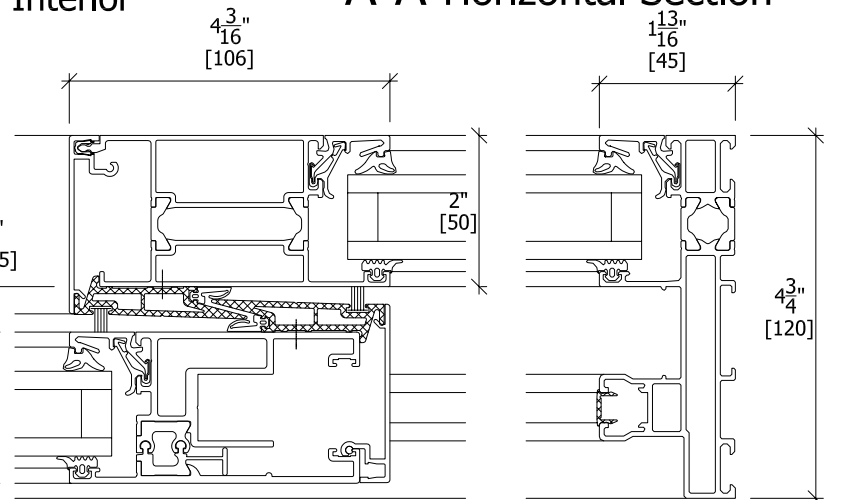


B-B Vertical Section



A-A Horizontal Section



Aluminium Window

Goldbrecht USA Inc.

Lift and Roll Door

Date 02/22/2008

Engineer C.J.B.

Doc # Not to Scale

Variant

System A

System Sliding & Folding Series

+1 310 393 5540 Phone
+1 310 393 1232 Fax
www.Goldbrecht-Systems.com