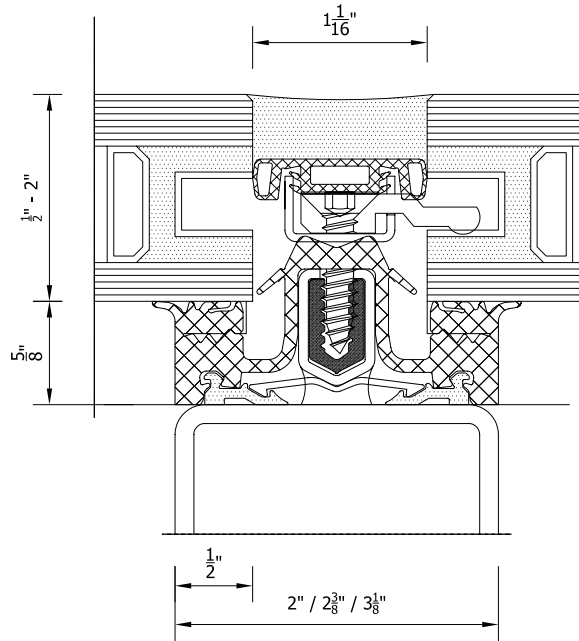
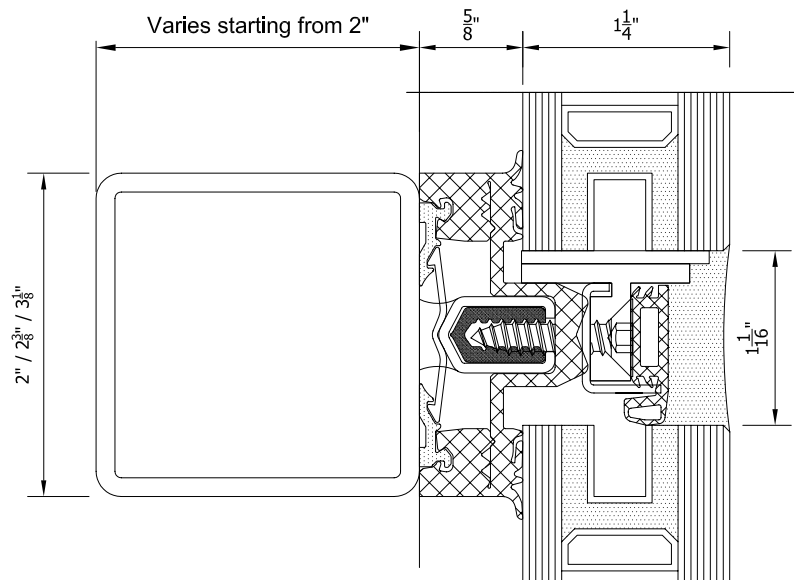


## Vertical Section



## Horizontal Section



<h1>Steel Post &amp; Beam Structural Glazing</h1>			Goldbrecht USA Inc.
<h2>Vertical and Horizontal Section</h2>		Date	
		Engineer	CDW
		Doc #	
Variant		System	Raico