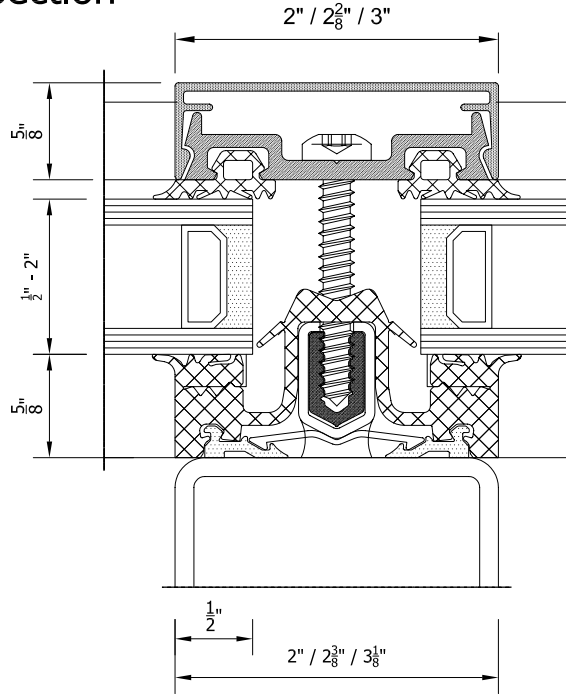
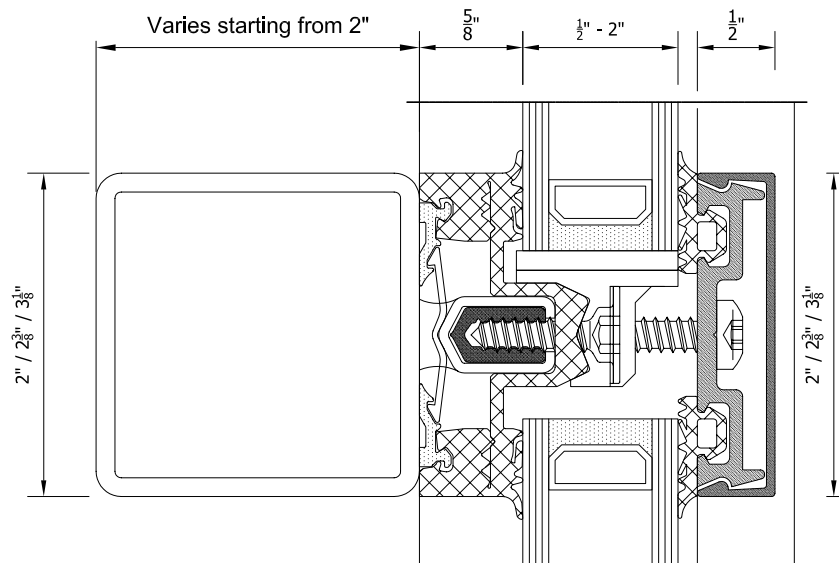


Vertical Section



Horizontal Section



<h2>Steel Post & Beam Curtain Wall</h2>			Goldbrecht USA Inc.
<h3>Vertical and Horizontal Section</h3>		Date	
		Engineer	CDW
		Doc #	
Variant		System	Raico